

Low Temperature Detection Sensor

Low temperature detection sensor, also known as "Freeze Stats". For temperature monitoring on HVAC equipment that requires low-temperature cutout protection to prevent cooling coils from freezing. Manual or automatic reset versions available as well as various capillary lengths.



Type Overview

Type	Output Signal Temperature Switch	Additional Features	Probe Length
01DTS-504	changeover	auto reset	10 ft [3 m]
01DTS-504X	changeover	manual reset	10 ft [3 m]
01DTS-505	changeover	auto reset	20 ft [6 m]
01DTS-505X	changeover	manual reset	20 ft [6 m]

Technical Data

<b>Electrical Data</b>	Cable Entry	cable gland cap nut with strain relief Ø6 to 8 mm
<b>Functional Data</b>	Output Signal Switch Note	single pole change over, switching load max. 10 A (DC 250 V)
	Media	air
<b>Measuring Data</b>	Measured Values	temperature
	Measuring range temperature	14°F to 54°F [-10°C to 12°C]
	Accuracy temperature active	±0.9°F [±0.5°C]
	Accuracy temperature passive	±0.9°F [±0.5°C]
<b>Materials</b>	Cable Gland	PA6, black
	Housing	base: PA6 GK30, light gray seal: 0467 NBR70, black cover ABS, transparent
<b>Safety Data</b>	Probe Material	copper/vapor filled R507
	Ambient Humidity	85% RH non-condensing
	Ambient temperature	-30°F to 160°F [-35°C to 70°C]
	Medium temperature	-30°F to 160°F [-35°C to 70°C]
	Protection Class IEC/EN	III protective extra-low voltage (pelv)
	EU Conformity	CE Marking
	Degree of Protection IEC/EN	IP65
	Degree of Protection NEMA/ UL	NEMA 4
	Quality Standard	ISO 9001
	Weight	0.41 lbs

**Safety Notes**



The installation and assembly of electrical equipment should only be performed by authorized personnel.

The product should only be used for the intended application. Unauthorized modifications are prohibited! The product must not be used in relation with any equipment that in case of a failure may threaten, directly or indirectly, human health or life or result in danger to human beings, animals or assets. Ensure all power is disconnected before installing. Do not connect to live/operating equipment.



During installation, testing, servicing and troubleshooting of this product, it may be necessary to work with live electrical components. Have a qualified licensed electrician or other individual who has been properly trained in handling live electrical components perform these tasks. Failure to follow all electrical safety precautions when exposed to live electrical components could result in death or serious injury.

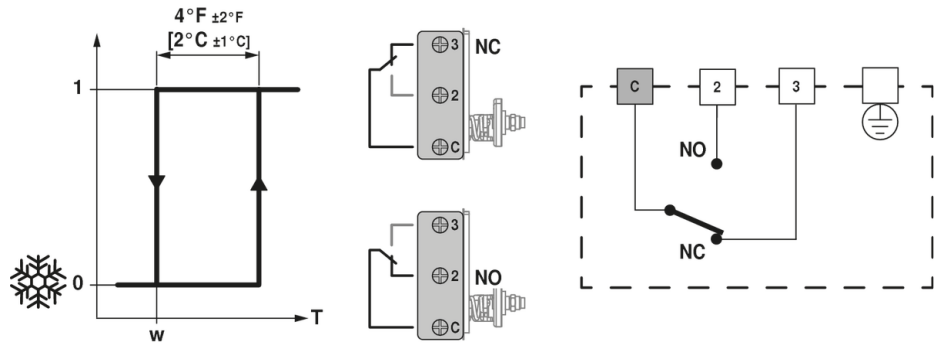
Please comply with

- Local laws, health & safety regulations, technical standards and regulations
- Condition of the device at the time of installation, to ensure safe installation
- This data sheet and installation manual

**Accessories**

**Scope of Delivery** installation kit

**Wiring Diagram**



set point range (factory setting 41°F [5°C])

## Dimensions

